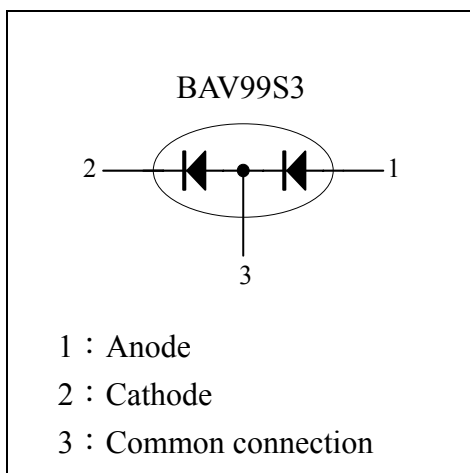
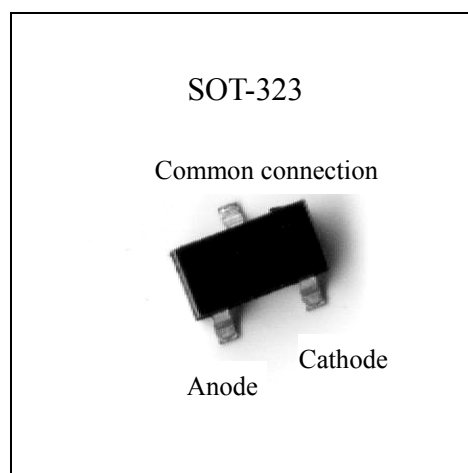


**High –speed double diode**

# BAV99S3

**Description**

The BAV99S3 consists of two high-speed switching diodes connected in series, fabricated in planar technology, and encapsulated in the small SOT-323 plastic SMD package.

**Equivalent Circuit****Outline****Features**

- Small plastic SMD package
- High switching speed: max. 4ns
- Continuous reverse voltage: max. 100V
- Repetitive peak reverse voltage: max. 110V
- Repetitive peak forward current: max. 450mA.
- Pb-free package

**Applications**

- High-speed switching in thick and thin-film circuits.

**Absolute Maximum Ratings** @TA=25°C, each diode, unless otherwise noted

Parameters	Symbol	Min	Max	Unit
Repetitive peak reverse voltage	$V_{RRM}$	-	110	V
Continuous reverse voltage	$V_R$	-	100	V
Continuous forward current(single diode loaded)	$I_F$	-	215	mA
Continuous forward current(double diode loaded)		-	125	
Repetitive peak forward current	$I_{FRM}$	-	450	mA
Average rectified forward current (Note 1) (averaged over any 20ms period)	$I_{F(AV)}$	-	715	mA
Non-repetitive peak forward current @square wave, $T_j=125^\circ\text{C}$ prior to surge	$I_{FSM}$	$t=1\mu\text{s}$	2	A
		$t=1\text{ms}$	1	A
		$t=1\text{s}$	0.5	A
Total power dissipation(Note 1)	$P_{tot}$		200	mW
Operating Junction Temperature Range	$T_j$	-65	+150	°C
Storage Temperature Range	$T_{stg}$	-65	+150	°C

Note 1: Device mounted on an FR-5 PCB with area measuring  $1.0 \times 0.75 \times 0.062$  in.**Electrical Characteristics** @ TA=25°C, each diode, unless otherwise specified

Parameters	Symbol	Conditions	Min	Typ.	Max	Unit
Forward voltage	$V_F$	$I_F=1\text{mA}$	-	-	715	mV
		$I_F=10\text{mA}$			855	mV
		$I_F=50\text{mA}$			1	V
		$I_F=150\text{mA}$			1.25	V
Reverse current	$I_R$	$V_R=100\text{V}$	-	-	2.5	$\mu\text{A}$
		$V_R=25\text{V}, T_j=150^\circ\text{C}$			30	
		$V_R=100\text{V}, T_j=150^\circ\text{C}$			50	
Diode capacitance	$C_d$	$V_R=0\text{V}, f=1\text{MHz}$	-	-	1.5	pF
Reverse recovery time	$t_{rr}$	when switched from $I_F=10\text{mA}$ to $I_R=10\text{mA}, R_L=100\Omega$ , measured at $I_R=1\text{mA}$	-	-	4	ns
Forward recovery voltage	$V_{fr}$	when switched from $I_F=10\text{mA}$ $t_r=20\text{ns}$	-	-	1.75	V

**Thermal Characteristics**

Symbol	Parameter	Conditions	Value	Unit
$R_{th, j-a}$	thermal resistance from junction to ambient	Note 1	625	°C/W

Note 1: Device mounted on an FR-5 PCB with area measuring  $1.0 \times 0.75 \times 0.062$  in.

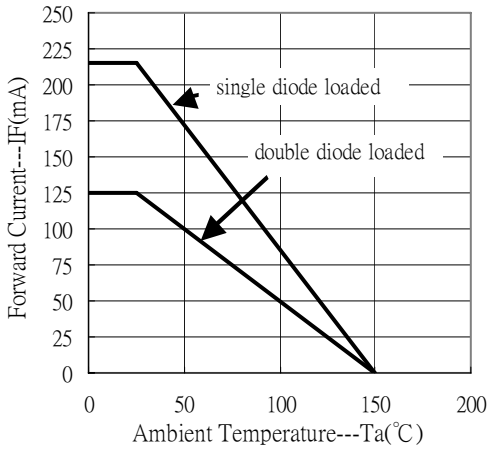


**Ordering Information**

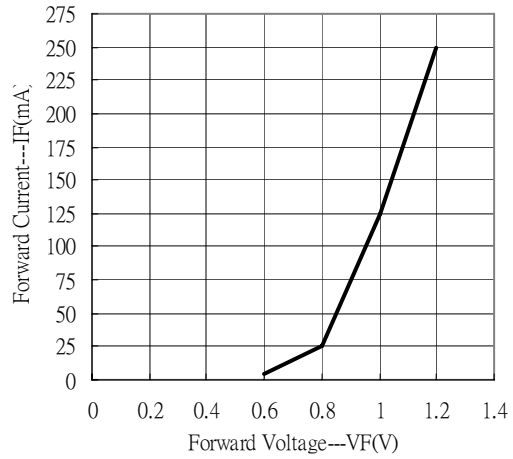
Device	Package	Shipping	Marking
BAV99S3	SOT-323 (Pb-free)	3000 pcs / Tape & Reel	A7

**Characteristic Curves**

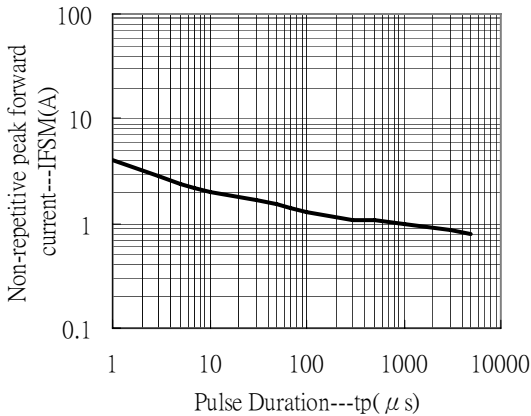
Forward Current vs Ambient Temperature



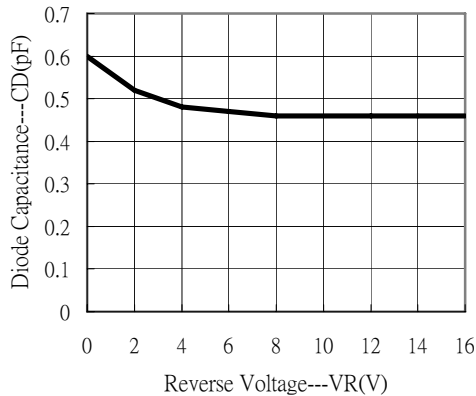
Forward Current vs Forward Voltage



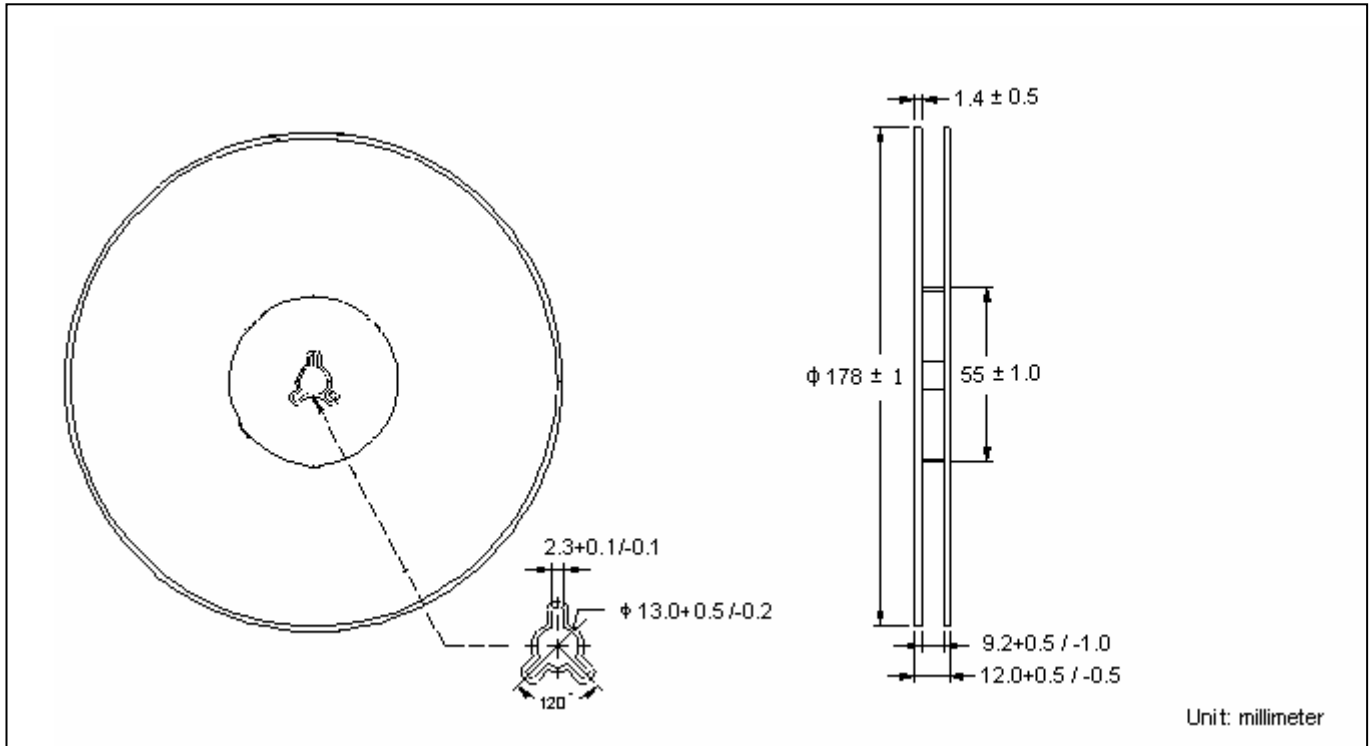
Non-repetitive peak forward current vs pulse duration



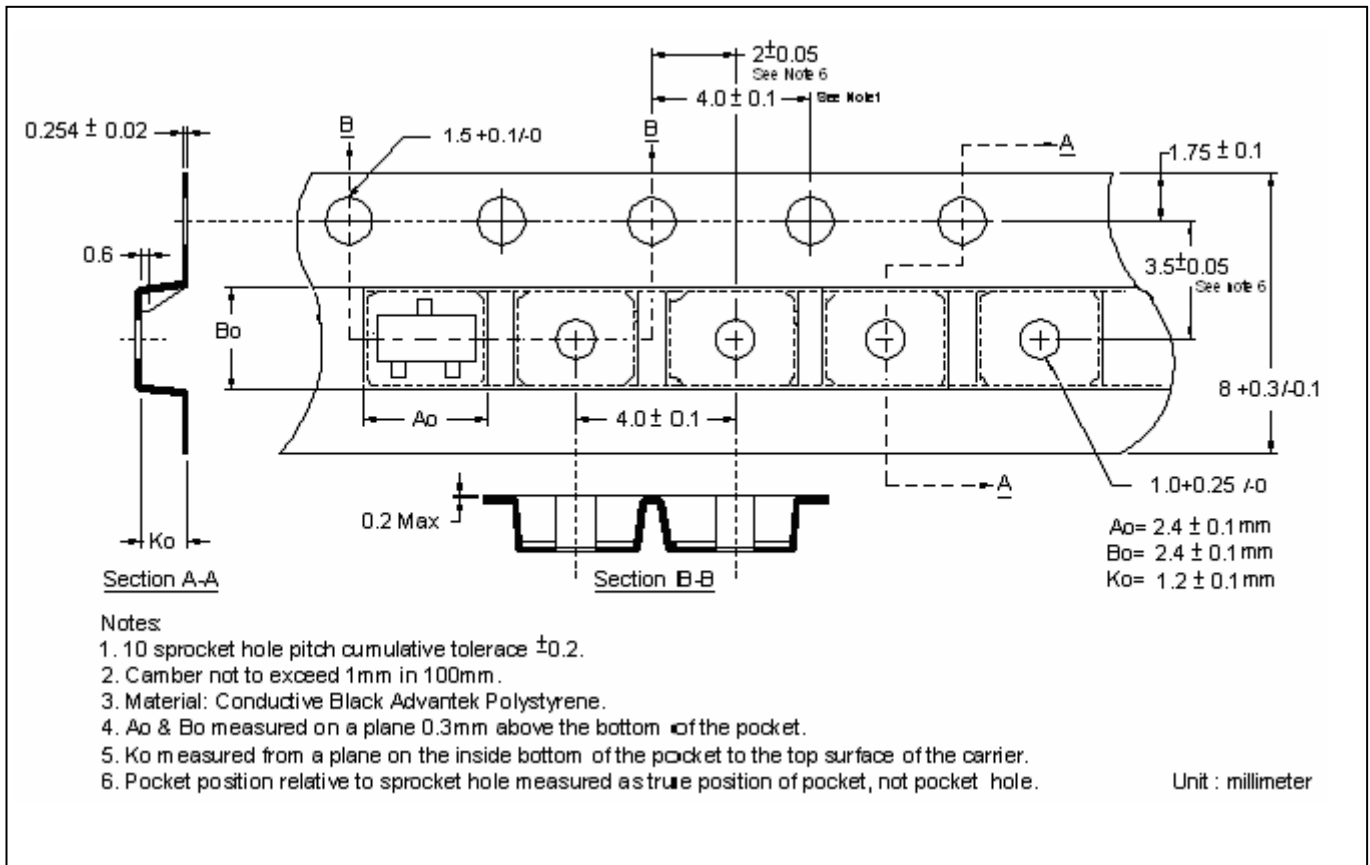
Diode Capacitance vs Reverse Voltage



**Reel Dimension**



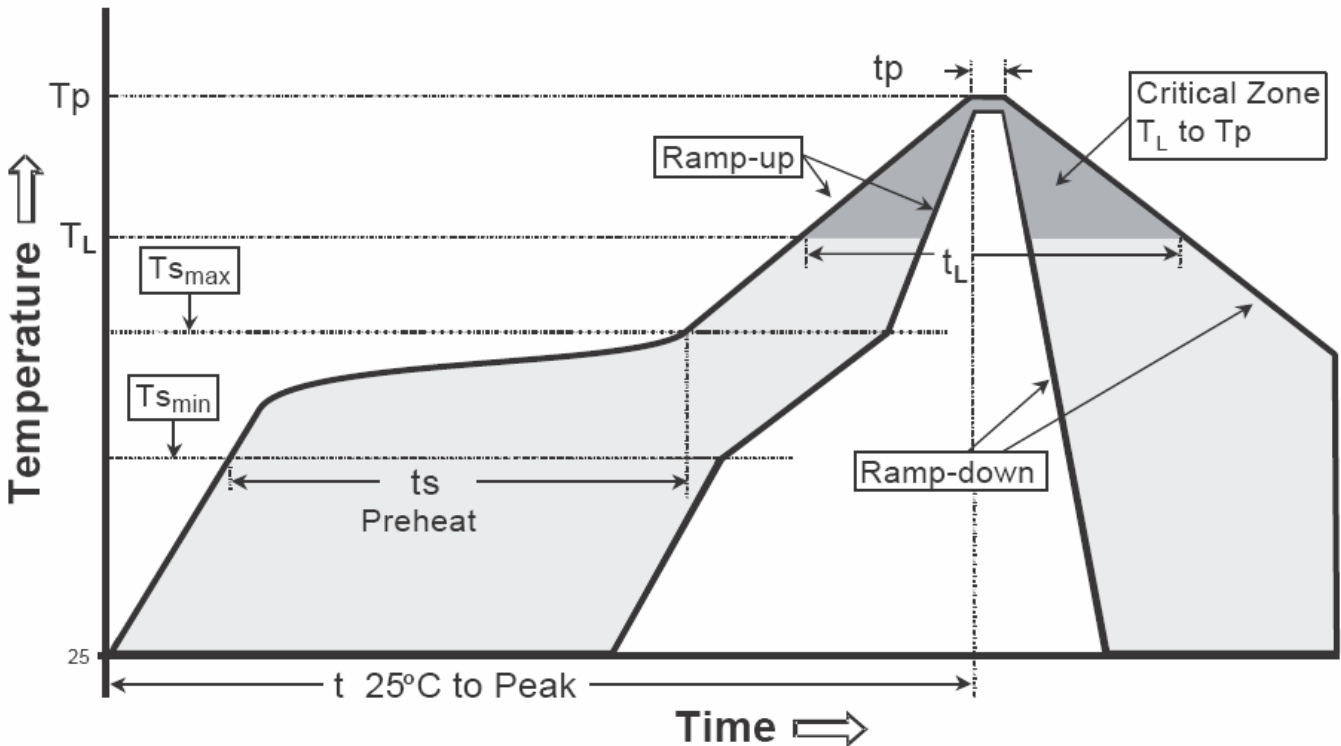
**Carrier Tape Dimension**



**Recommended wave soldering condition**

Product	Peak Temperature	Soldering Time
Pb-free devices	260 +0/-5 °C	5 +1/-1 seconds

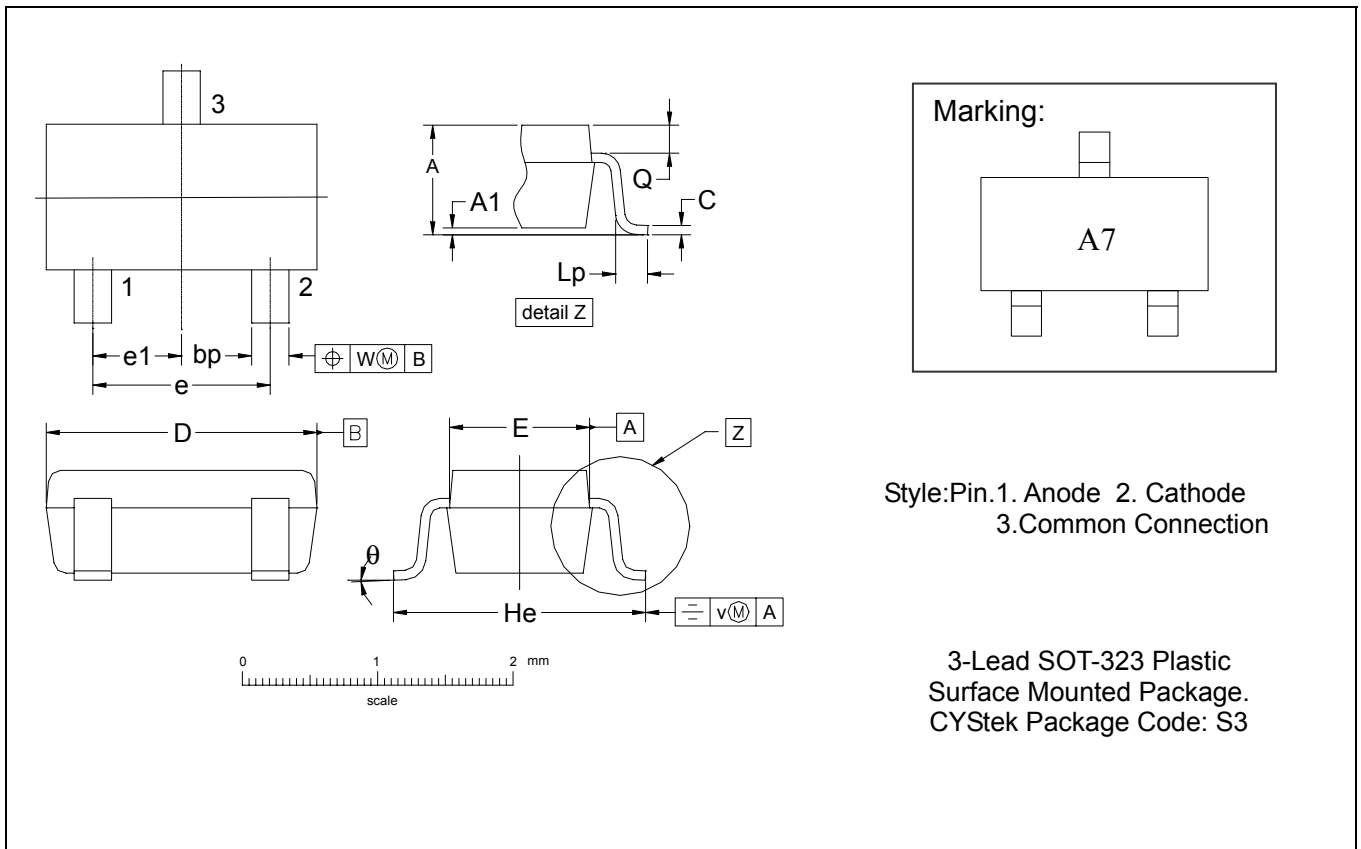
**Recommended temperature profile for IR reflow**



Profile feature	Sn-Pb eutectic Assembly	Pb-free Assembly
Average ramp-up rate (Tsmax to Tp)	3°C/second max.	3°C/second max.
Preheat		
-Temperature Min(Ts min)	100°C	150°C
-Temperature Max(Ts max)	150°C	200°C
-Time(ts min to ts max)	60-120 seconds	60-180 seconds
Time maintained above:		
-Temperature (TL)	183°C	217°C
- Time (tL)	60-150 seconds	60-150 seconds
Peak Temperature(TP)	240 +0/-5 °C	260 +0/-5 °C
Time within 5°C of actual peak temperature(tp)	10-30 seconds	20-40 seconds
Ramp down rate	6°C/second max.	6°C/second max.
Time 25 °C to peak temperature	6 minutes max.	8 minutes max.

Note : All temperatures refer to topside of the package, measured on the package body surface.

**SOT-323 Dimension**



DIM	Inches		Millimeters		DIM	Inches		Millimeters	
	Min.	Max.	Min.	Max.		Min.	Max.	Min.	Max.
A	0.0315	0.0433	0.80	1.10	e1	0.0256	-	0.65	-
A1	0.0000	0.0039	0.00	0.10	He	0.0787	0.0886	2.00	2.25
bp	0.0118	0.0157	0.30	0.40	Lp	0.0059	0.0177	0.15	0.45
C	0.0039	0.0098	0.10	0.25	Q	0.0051	0.0091	0.13	0.23
D	0.0709	0.0866	1.80	2.20	v	0.0079	-	0.2	-
E	0.0453	0.0531	1.15	1.35	w	0.0079	-	0.2	-
e	0.0512	-	1.3	-	θ	-	-	10°	0°

Notes: 1. Controlling dimension: millimeters.  
 2. Maximum lead thickness includes lead finish thickness, and minimum lead thickness is the minimum thickness of base material.  
 3. If there is any question with packing specification or packing method, please contact your local CYStek sales office.

**Material:**

- Lead: Pure tin plated.
- Mold Compound: Epoxy resin family, flammability solid burning class: UL94V-0.

**Important Notice:**

- All rights are reserved. Reproduction in whole or in part is prohibited without the prior written approval of CYStek.
- CYStek reserves the right to make changes to its products without notice.
- CYStek **semiconductor products are not warranted to be suitable for use in Life-Support Applications, or systems.**
- CYStek assumes no liability for any consequence of customer product design, infringement of patents, or application assistance.